

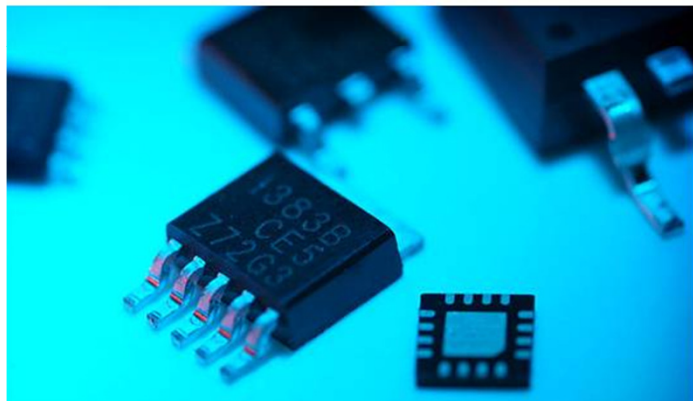


AIC2832B & AIC2833B

The Best Sot23-6 Vin 18V

Buck Solution

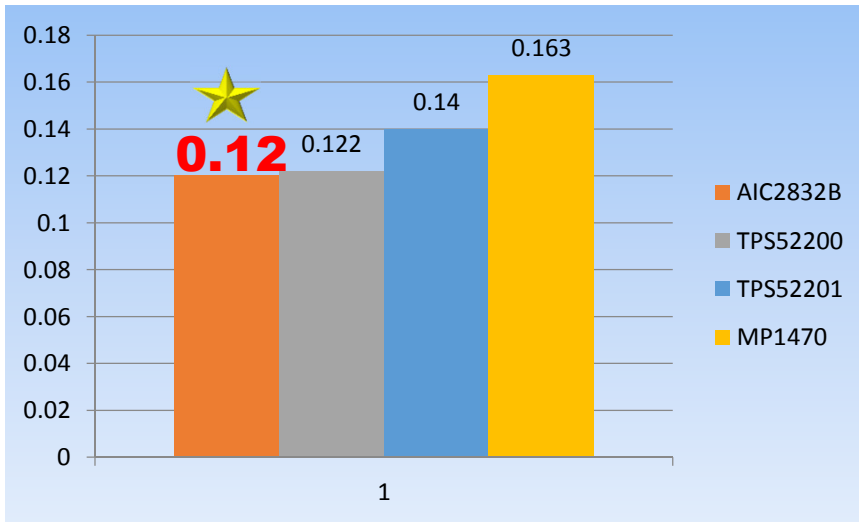
www.analog.com.tw



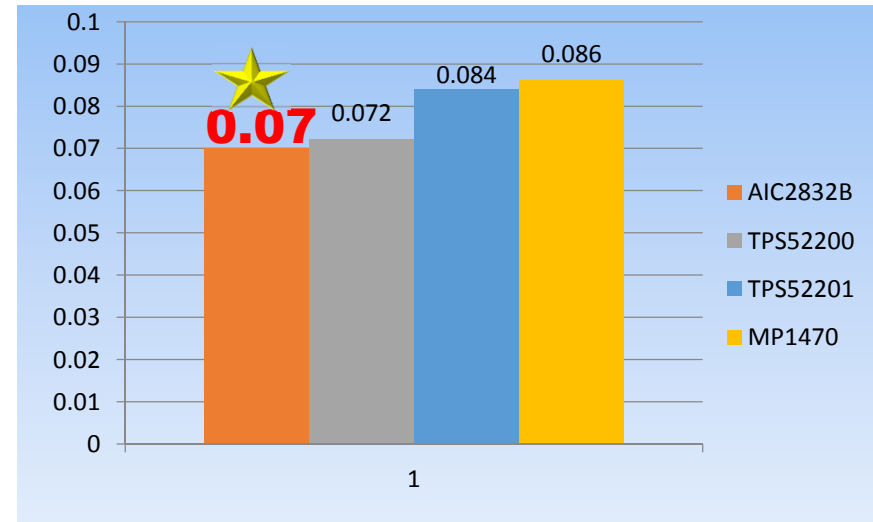
2018 Q3

2A 18V 600kHz Synchronous Step-Down Converter

High Mos Rdson (ohm)

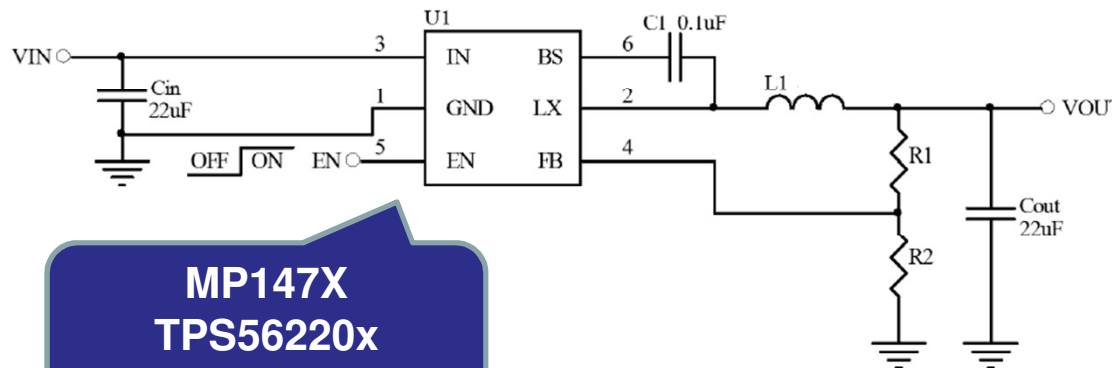


Low side Mos Rdson (ohm)



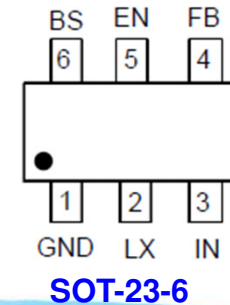
AIC2832B High low side mosfet Rdson smaller than TI and MP part, get the Highest Efficiency and the Coldest temperature solution .

Application Circuit



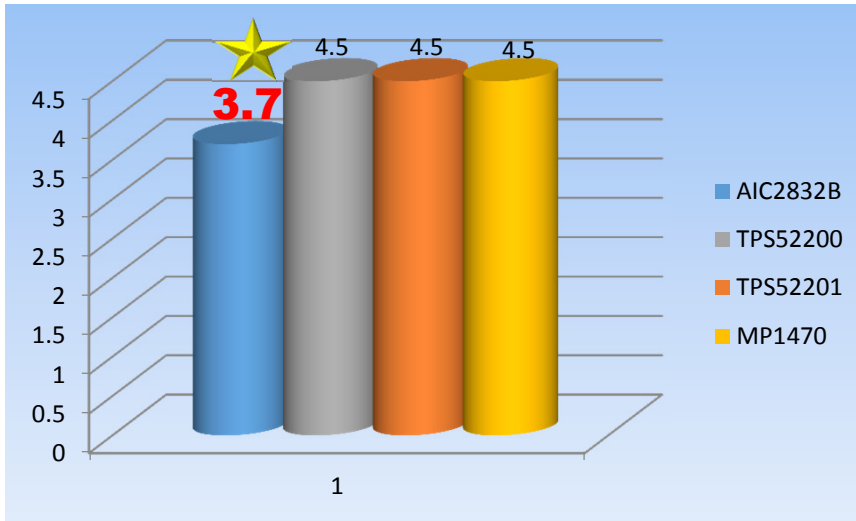
**MP147X
TPS56220x
Compatible**

Package

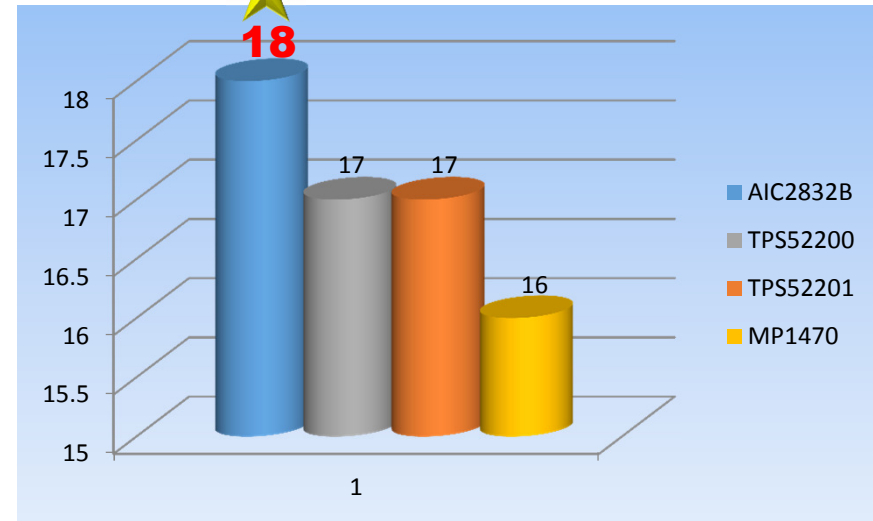


2A 18V 600kHz Synchronous Step-Down Converter

Vin min(V)

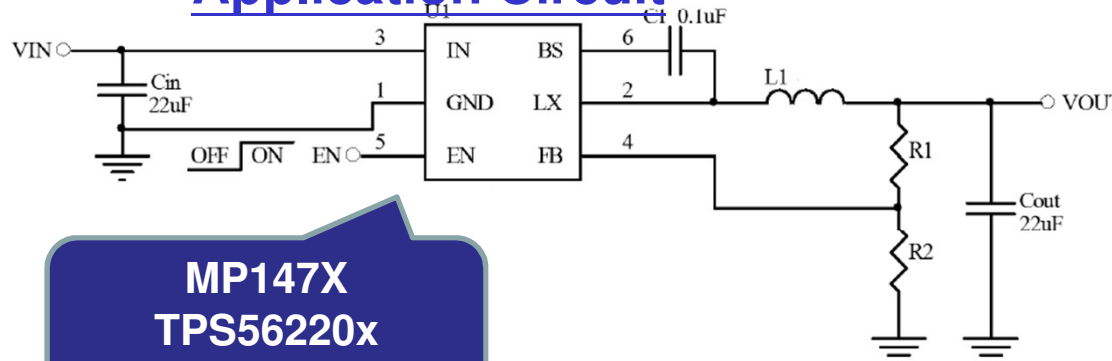


Vin(max)



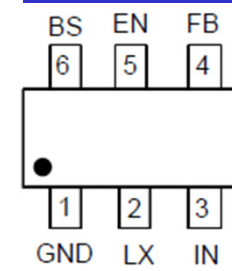
AIC2832B have more wide Vin range (3.7V ~18V), more easy to design Low Vin (ex. Vin= 5V) application, Vin max larger than TI and MPS , Vin stress more strong.

Application Circuit



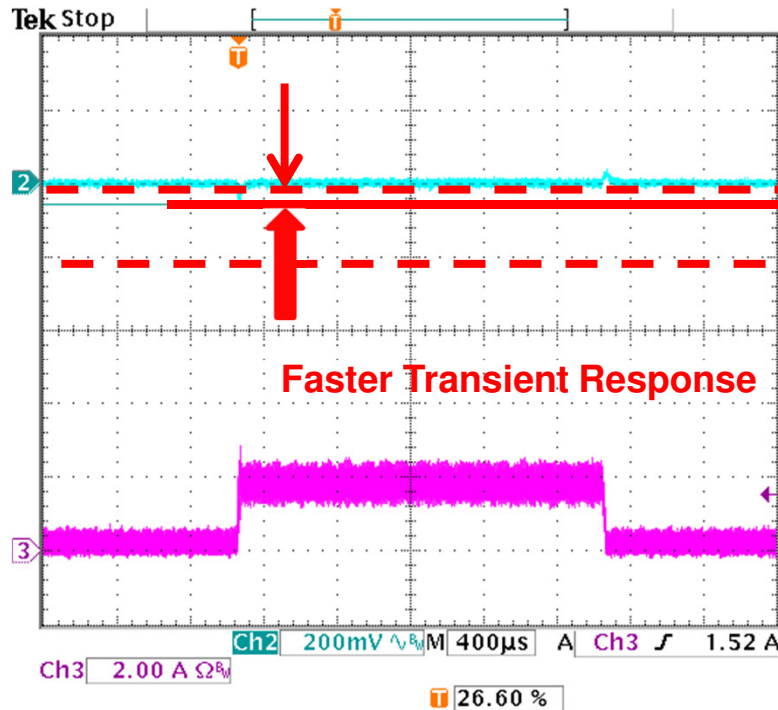
**MP147X
TPS56220x
Compatible**

Package

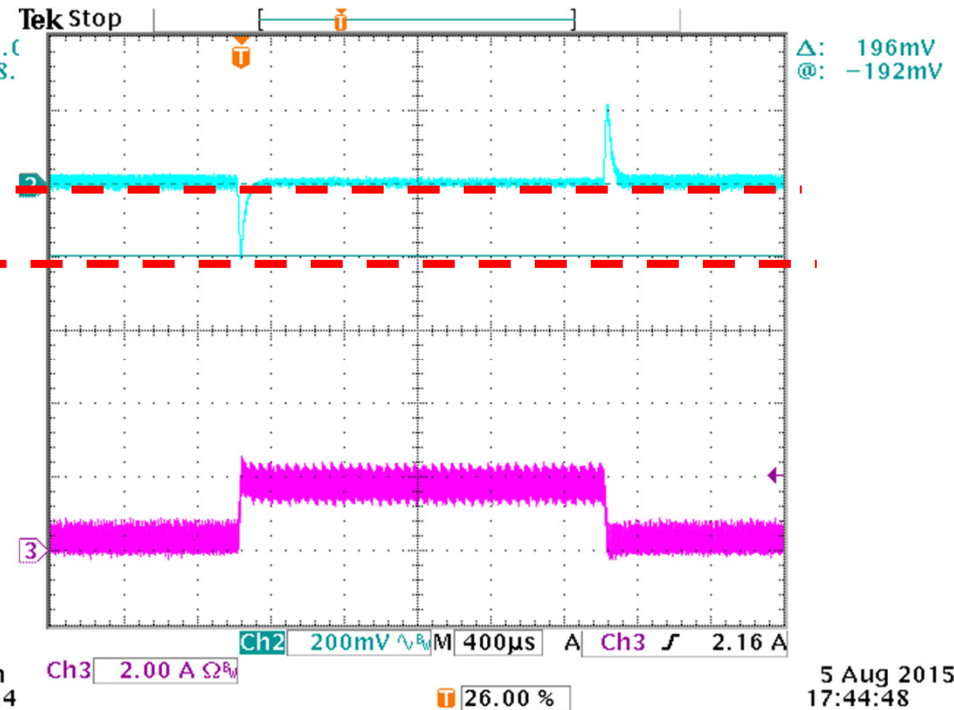


SOT-23-6

2A 18V 600kHz Synchronous Step-Down Converter



30 Jun 14:51:4



5 Aug 2015 17:44:48

AIC2832B $V_{IN}=12V$, $V_{OUT}=1.05V$, $I_O=0.2 \sim 1.8A$,
drop=59mV
 CH2: Output Voltage, CH3: Inductor Current

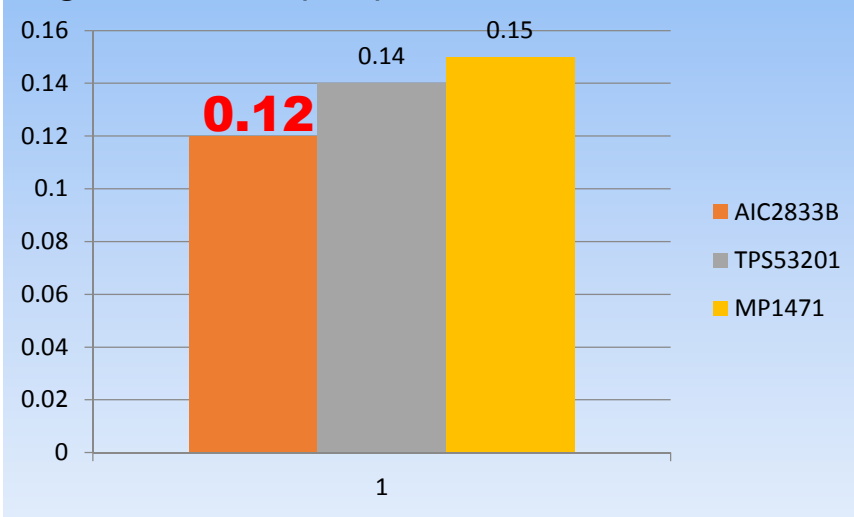
MP1470 $V_{IN}=12V$, $V_{OUT}=1.05V$, $I_O=0.2 \sim 1.8A$,
drop=196mV
 CH2: Output Voltage, CH3: Inductor Current

2A 18V 600kHz Synchronous Step-Down Converter

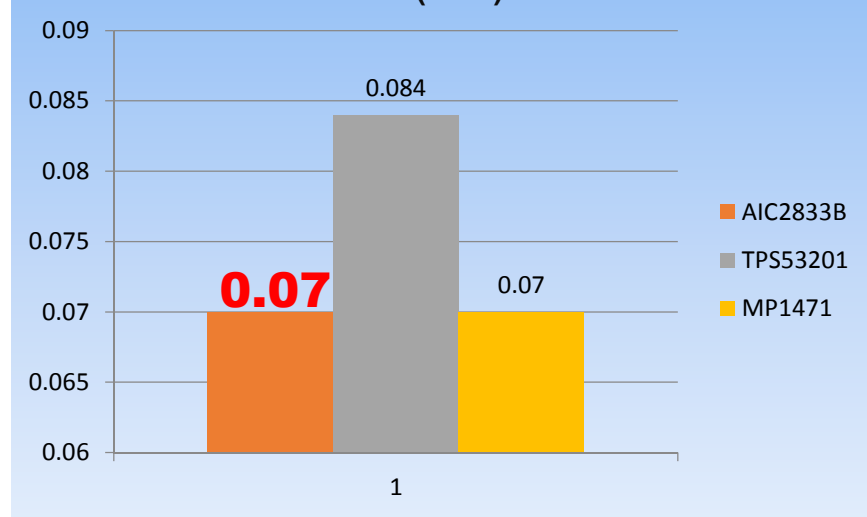
Parametrics	AIC2832B	TPS562201	MP1470
Vin(Min)(V)	★ 3.7	4.5	4.7
Vin(Max)(V)	★ 18	17	16
Vout(Min)(V)	0.765	0.765	0.8
Vout(Max)(V)	7	7	0.9V _{IN}
Iout(Max)(A)	2	2	2
Switching Frequency(typ)(kHz)	600	650	500
Rdson(mohm)	★ 120m/70m	140m/84m	163m/86m
Iq(Typ)(mA)	★ 0.4	0.5	0.83
Special Features	Enable Up to 92% efficiency Synchronous Rectification	Enable Light Load Efficiency Synchronous Rectification	Enable Light Load Efficiency Synchronous Rectification
Duty Cycle(Max)(%)	★ 95	80	92
Operating Temperature Range(C)	-40 to 85	-40 to 85	-40 to 85

3A 18V 600kHz Synchronous Step-Down Converter

High Mos Rdson (ohm)

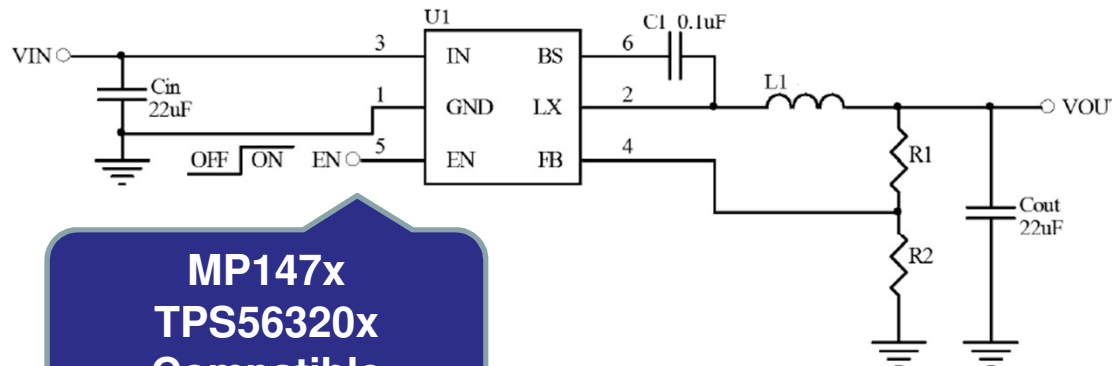


Low side Mos Rdson (ohm)



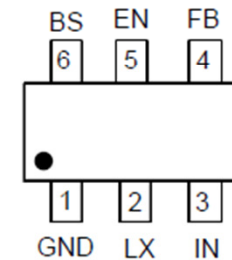
AIC2833B High low side mosfet Rdson smaller than TI and MP part, get the Highest Efficiency and the Coldest temperature solution .

Application Circuit



**MP147x
TPS56320x
Compatible**

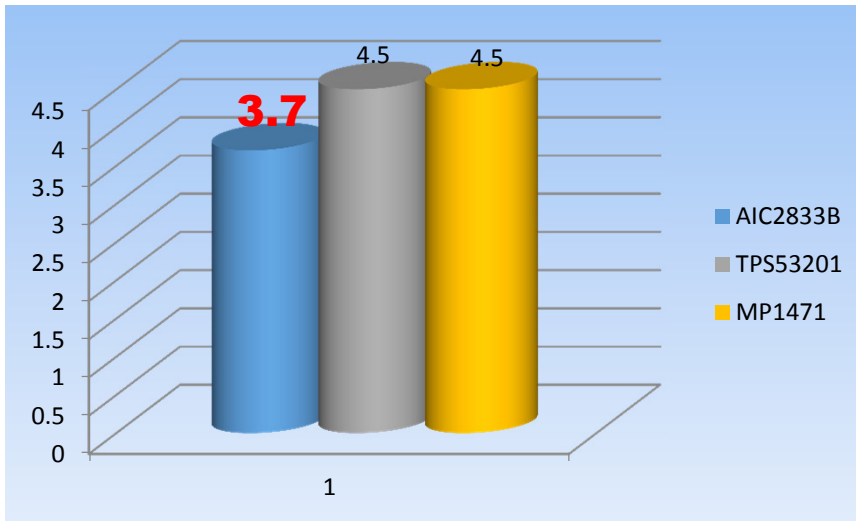
Package



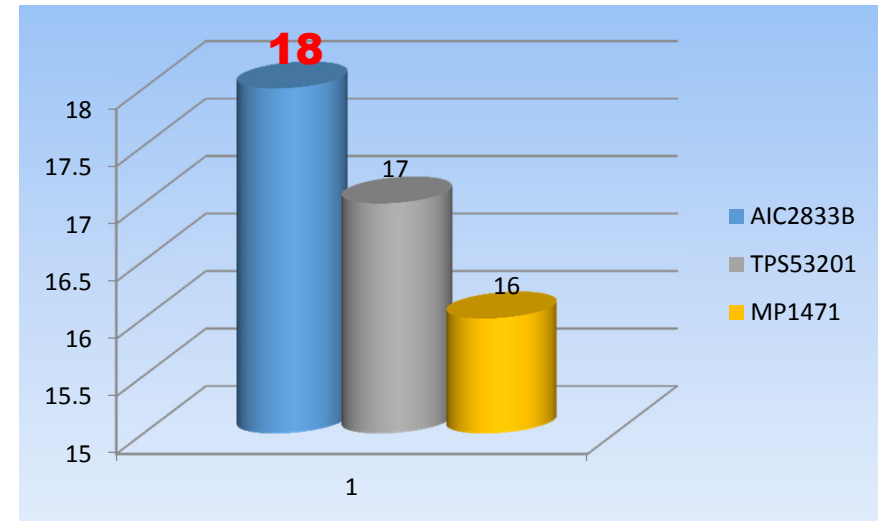
SOT-23-6

3A 18V 600kHz Synchronous Step-Down Converter

Vin min(V)

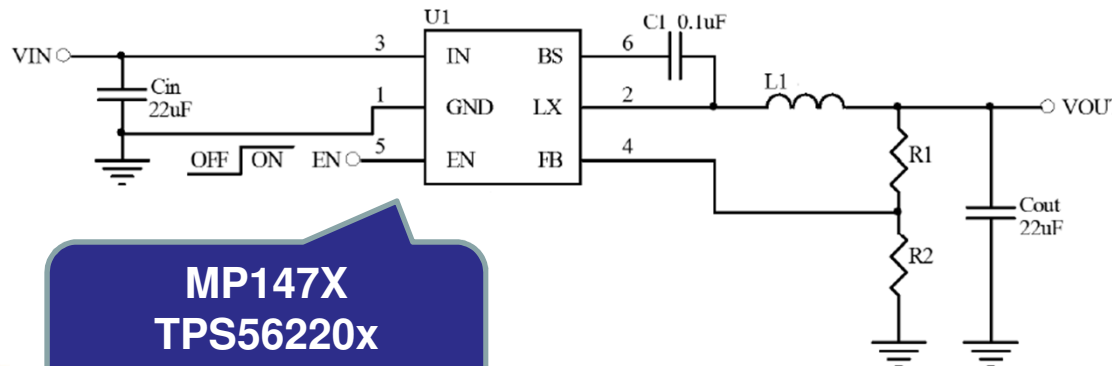


Vin max(V)



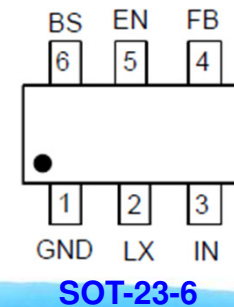
AIC2833B have more wide Vin range (3.7V ~18V), more easy to design Low Vin (ex. Vin= 5V) application, Vin max larger than TI and MPS , Vin stress more strong.

Application Circuit








**MP147X
TPS56220x
Compatible**

Package



3A 18V 600kHz Synchronous Step-Down Converter

Parametrics	AIC2833B	TPS563201	MP1471
Vin(Min)(V)	 3.7	4.5	4.7
Vin(Max)(V)	 18	17	16
Vout(Min)(V)	 0.765	0.76	0.8
Vout(Max)(V)	7	7	0.9V _{IN}
Iout(Max)(A)	3	3	3
Switching Frequency(typ)(kHz)	 600	650	500
Rdon(mohm)	120/70	140/84	150/70
Iq(Typ)(mA)	0.4	0.5	0.83
Special Features	Enable Up to 95% efficiency Synchronous Rectification	Enable Light Load Efficiency Synchronous Rectification	Enable Light Load Efficiency Synchronous Rectification
Duty Cycle(Max)(%)	 95	80	92
Operating Temperature Range(C)	-40 to 85	-40 to 85	-40 to 85